

Individual spaces for collective environments

Acoustic cabins



rocadadesign:
emotions in the workplace

Acoustic cabins

Acoustic booths equipped with external noise-reducing materials, allowing for better concentration in their work, for phone calls, video conferences, private meetings and more - without interruptions.

INDEX

ROME cabinas



Rome - 100
Page 2



1 | Pax.



Calls



Rome - 200
Page 6



2 | Pax.



Privacy



Rome - 600
Page 10



6 | Pax.



Meetings

PARIS cabinas



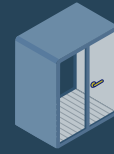
Paris - 100
Page 18



1 | Pax.



Calls



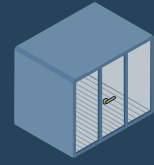
Paris - 200
Page 22



2 | Pax.



Privacy



Paris - 400
Page 26



4 | Pax.



Meetings

“We provide you
all the peace of mind you deserve.”

Boosts productivity and well-being in
high-interaction environments with
significant ambient noise.

Individual workspaces
for global needs.



Perform all types of individual tasks
telephone calls, video conferences,
and more with maximum concentration
and without distractions.



* Stool not included

- **Rome 100 - 9003 - 06** | cabin, exterior: white colour, interior: **06**-orange colour.

- **Rome 101 - 1000 - 04** | table colour **04**-white.

- See page 14 for additional finishes.

Rome 100

Ideal space
for individual
work.



29 Db.
Acoustic insulation.



340 m³/h.
Ventilation.



11,5 W./12 V.
4.000° K.
Lighting.



USB A & C.
220 - 240 V.
RJ45 Network.
Connectivity.



* Stool not included



Ventilation



Ground leveling



Acoustic insulation

Functional and dimensional characteristics.



Dual door opening (left/right)



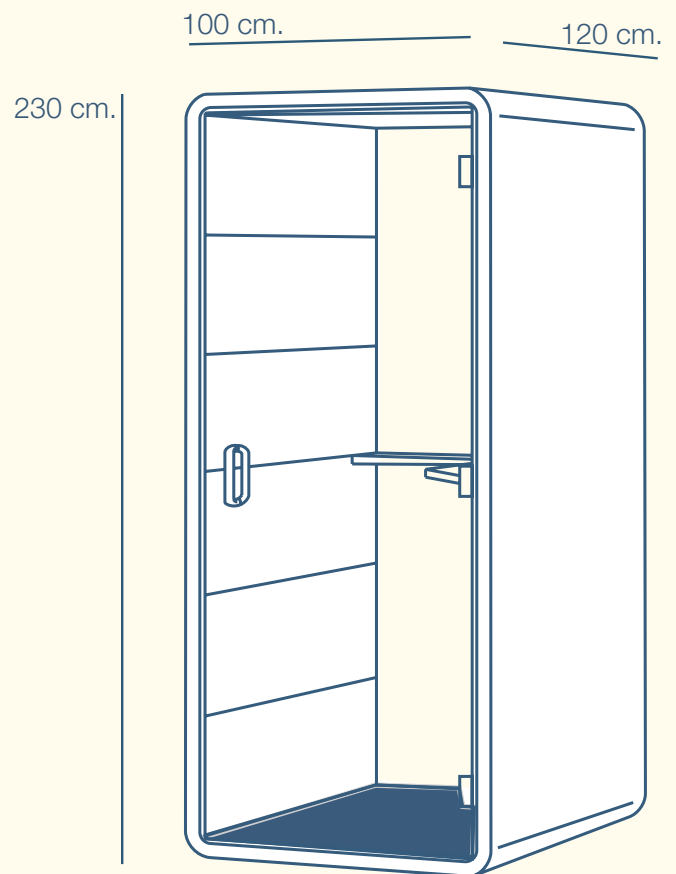
313 Kg.
Weight.



224 x 123 X 49 cm.
Packaging dimensions.



120 minutes.
Assembly time (2 people)



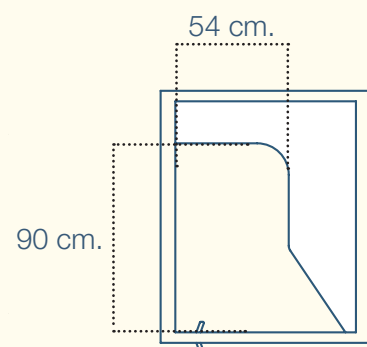
Rome 100:

Exterior dimensions: 100 x 120 x 230 cm.

Interior dimensions: 86 x 110 x 215 cm.

Table, height: 110 cm.

Table size: 70 x 50 cm.



Share your projects and go further together.



Ideal for quick meetings, remote work, or collaborative tasks between two people.



* Stools not included.

- Rome 200 - 9003 - 06 | cabin, exterior: white colour, interior: 06-orange colour.

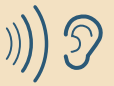
- Rome 201 - 1000 - 04 | table colour 04-white.

- See page 14 for additional finishes.

Ideal for
two-person
collaboration.



29 Db.
Acoustic insulation.



340 m³/h.
Ventilation.



11,5 W./12 V.
4.000° K.
Lighting.



USB A & C.
220 - 240 V.
RJ45 Network.
Connectivity.



* Stools not included



Ventilation



Ground leveling



Acoustic insulation

Functional and dimensional characteristics.



Dual door opening (left/right)



462 Kg.
Weight.



224 x 123 x 51 cm.
Packaging dimensions.

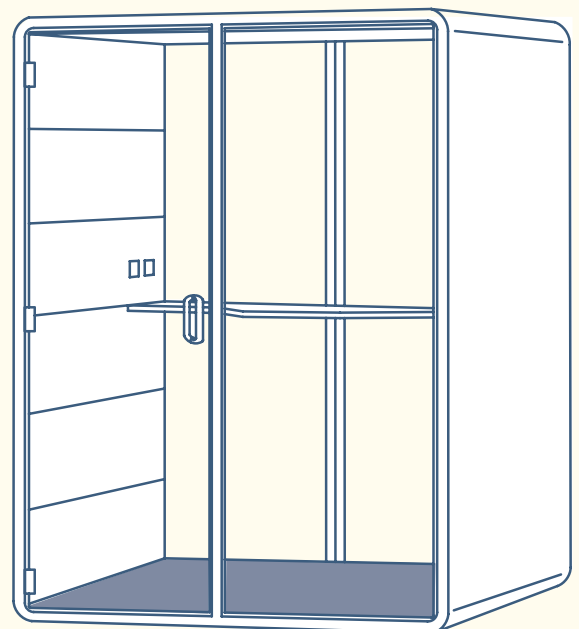


120 minutes.
Assembly time (2 people)

230 cm.

185 cm.

120 cm.



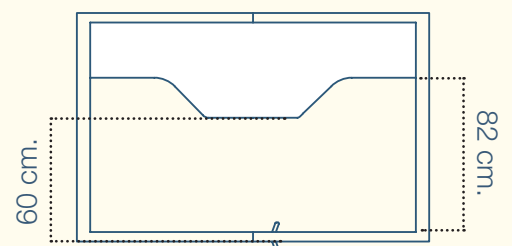
Rome 200:

Exterior dimensions: 185 x 120 x 230 cm.

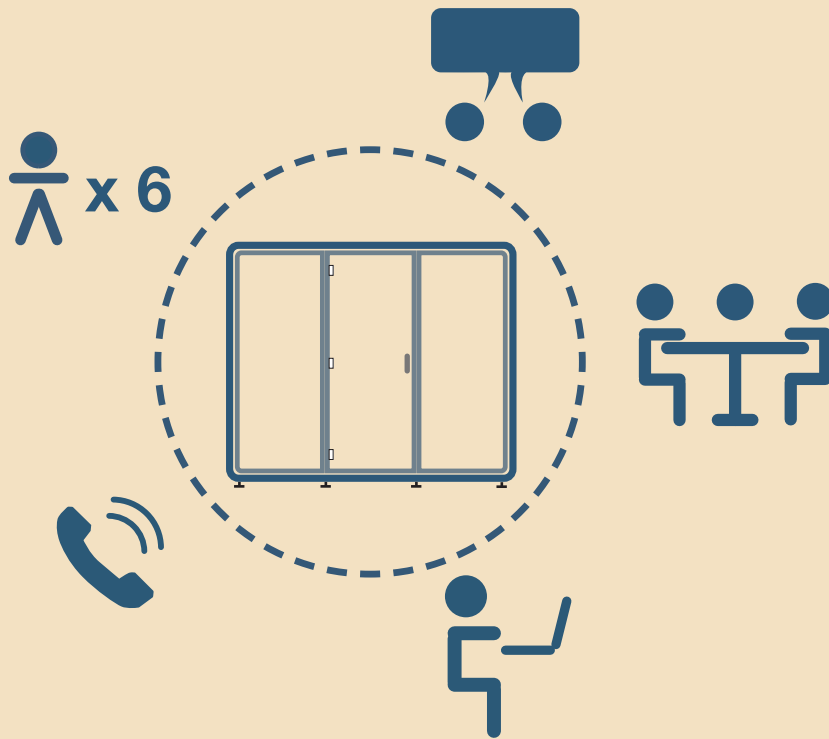
Interior dimensions: 171 x 110 x 215 cm.

Table height: 110 cm.

Table size: 171 x 50 cm.



Collaborative work that drives results.



Perfect for team meetings, customer discussions, and video conferences. Designed to accommodate up to six people with complete comfort and communication.





* Furniture not included.

- **Rome 600 - 9003 - 06** | cabin, exterior: white colour, interior: **06**-orange colour.

- **Rome 601 - 1000 - 04** | table colour **04**-white.

- *For other finishes see page 14.*

Rome 600

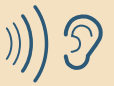
Ideal space
to work
all together.

( x 6)



* Furniture not included.

29 Db.
Acoustic insulation.



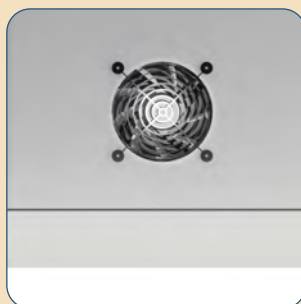
340 m³/h.
Ventilation.



11,5 W./12 V.
4.000° K.
Lighting.



USB A & C.
220 - 240 V.
RJ45 Network.
Connectivity.



Ventilation



Ground leveling



Acoustic insulation

Functional and dimensional characteristics.



Dual door opening (left/right)



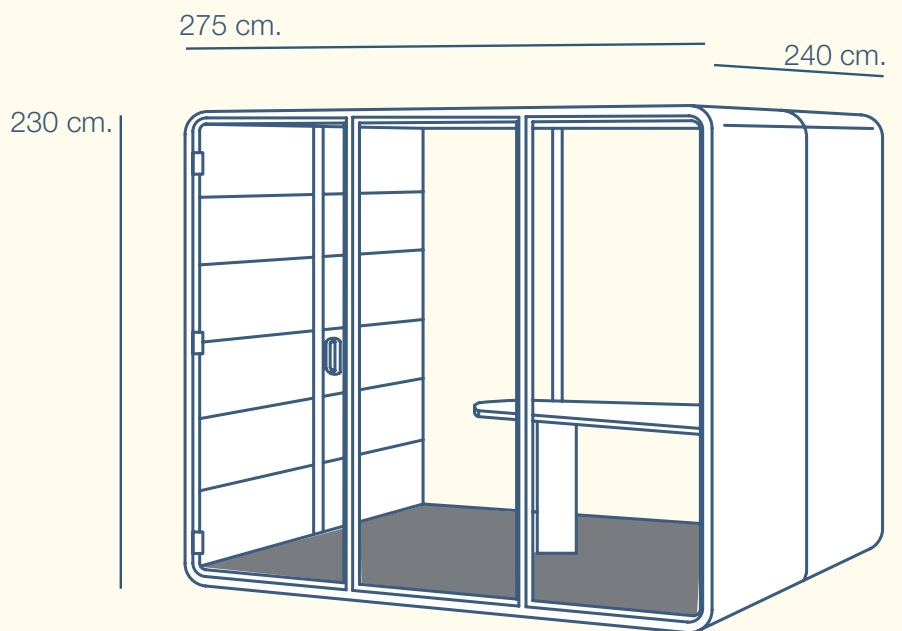
899 Kg.
Weight.



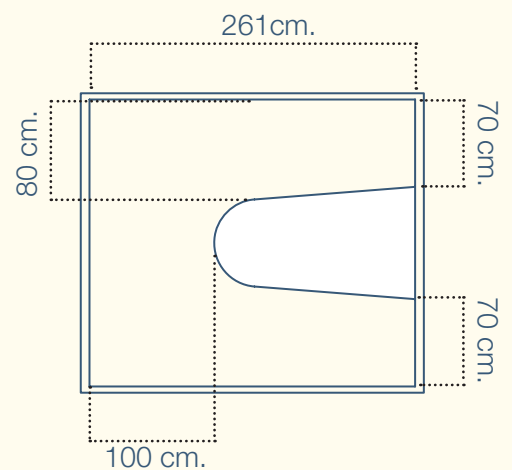
278 x 123 x 82 cm.
Packaging dimensions.



360 minutes.
Assembly time (2 people)



Rome 600:
Exterior dimensions: 275 x 240 x 230 cm.
Interior dimensions: 261 x 230 x 215 cm.
Table height: 74 cm.
Table size: 161 x 90 cm.
Consult for other table options.



Customize your acoustic booth with **table types** that best suit your work needs.

TABLE:

Made in melamine of 25mm thickness



Finish **04** in stock.
Other finishes on request.

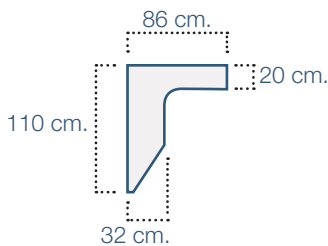


* Stool not included

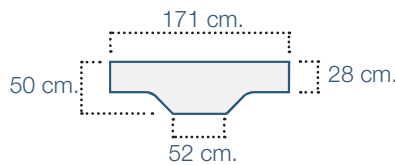
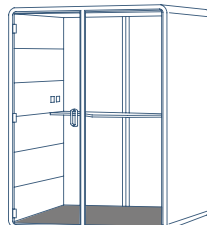
How to order the table for ROME cabin.

Table accessory Type of table Table finish

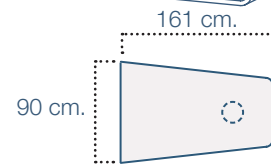
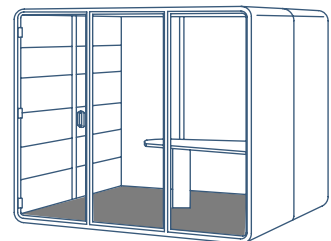
Rome 201 · 1000 · 04



Rome 101 · 1000 · 04



Rome 201 · 1000 · 04



Rome 601 · 1000 · 04

Individual shelters for dynamic environments



Ideal for busy spaces like offices, schools, airports, and more...
Providing quiet for focused work.





* Stool not included

- Paris 100 - 9003 - 152 | cabin: exterior: white colour, interior: 101- grey.

- Paris 101 - 1000 - 04 | table colour 04- white.

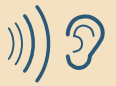
- See page 28 for more finishes.

Paris 100

Ideal workspace
ideal for a **person.**



29 Db.
Acoustic insulation.



218 m³/h.
Ventilation.



11,5 W./12 V.
4.000° K.
Lighting.



USB A & C.
220 - 240 V.
Connectivity.



Ventilation



Lockable door



Connectivity

Functional and dimensional characteristics.



Dual door opening (left/right)



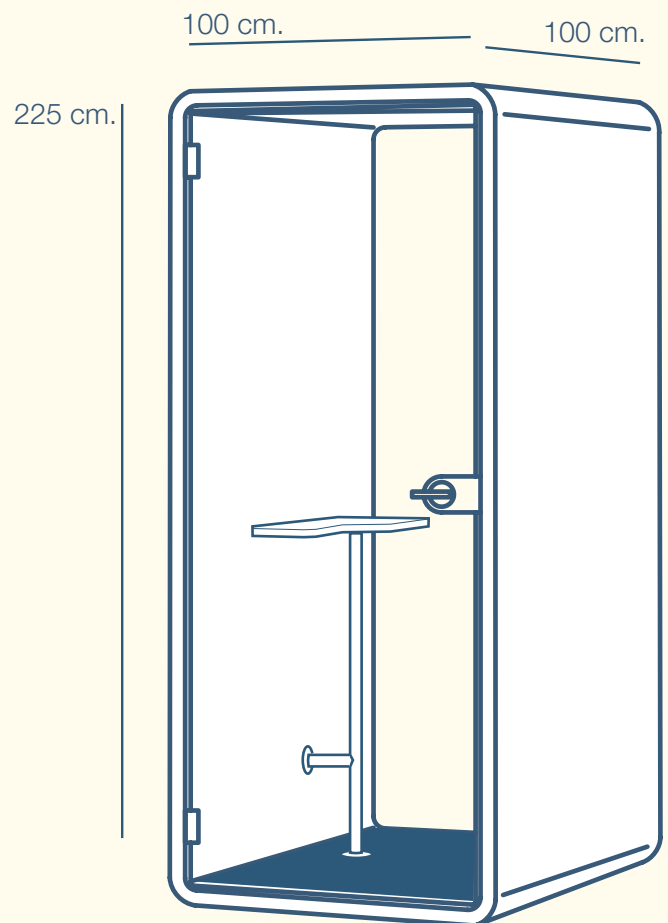
300 Kg.
Weight.



227 x 110 x 64 cm.
Packaging dimensions.

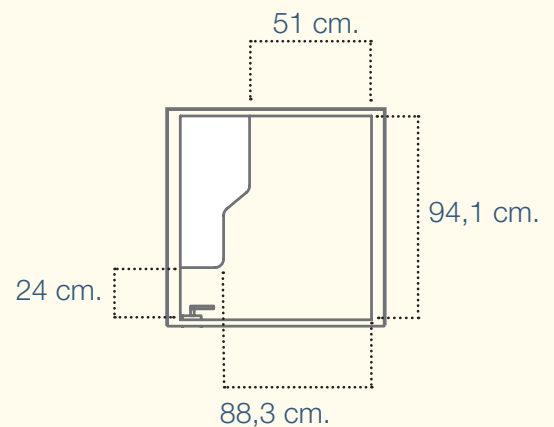


120 minutes.
Assembly time (2 people)



Paris 100:

Exterior dimensions: 100 x 100 x 225 cm.
Interior dimensions: 88,3 x 94,1 x 213,3 cm.
Table height: 100 cm.
Table size: 70 x 32cm.



An oasis of concentration for **efficient meetings.**



The double cabin allows all kinds of meetings between professionals, offering complete privacy. It provides comfortable and quiet spaces for all types of confidential exchanges.



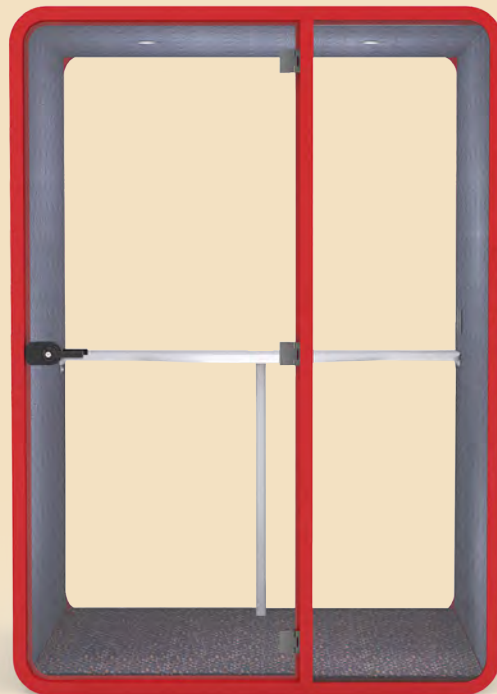
* Stools not included

- Paris 200 - 5009 - 123 | cabin: exterior: blue colour, interior: 123- blue.

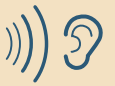
- Paris 201 - 1000 - 04 | table colour 04- white.

- See page 28 for more finishes..

Our acoustic booths
can be used in
different environments. ( x 2)



29 Db.
Acoustic insulation.



218 m³/h.
Ventilation.



11,5 W./12 V.
4.000° K.
Lighting.



USB A & C.
220 - 240 V.
Connectivity.



Ventilation



Lockable door



Connectivity

Functional and dimensional characteristics.



Dual door opening (left/right)



550 Kg.
Weight.



230 x 140 x 81 cm.
Packaging dimensions.

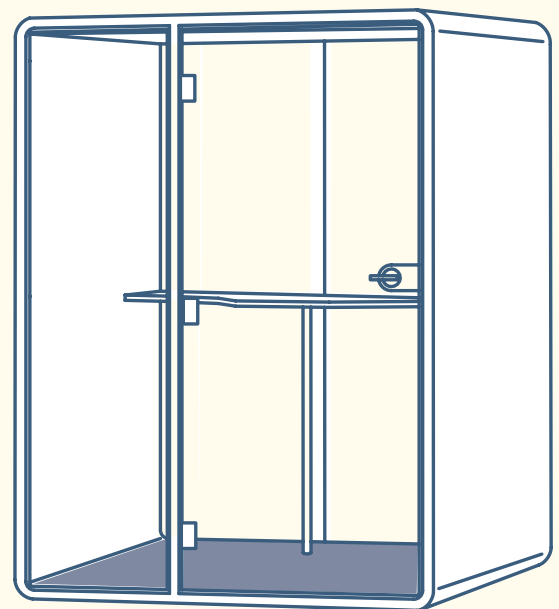


120 minutes.
Assembly time (2 people)

225 cm.

160 cm.

130 cm.



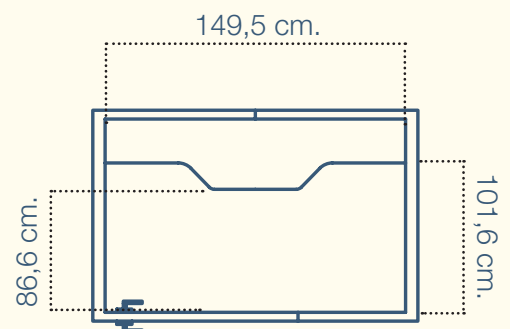
Paris 200:

Exterior dimensions: 160 x 130 x 225 cm.

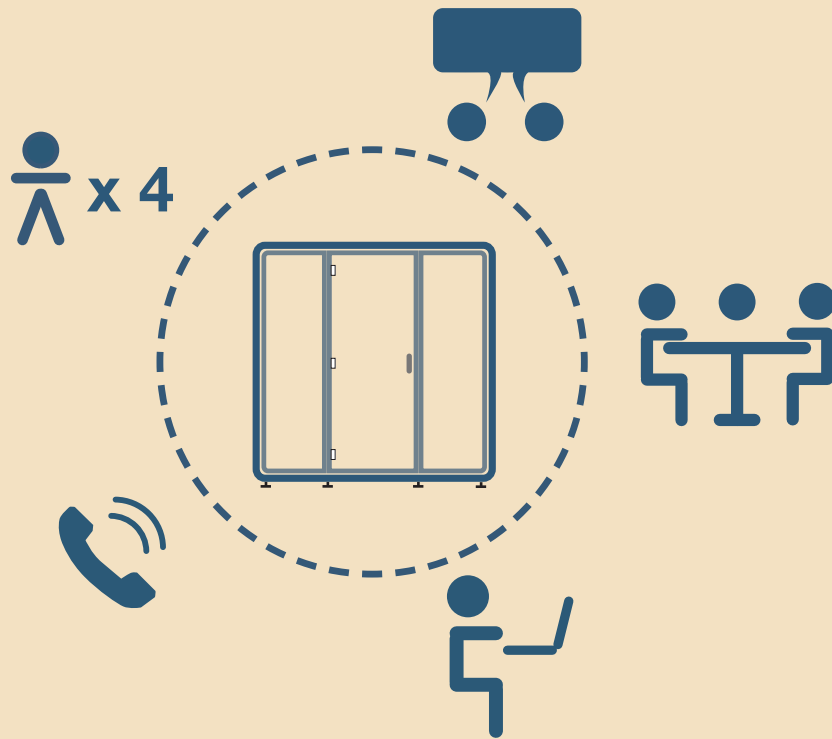
Interior dimensions: 149,5 x 126,6 x 213,3 cm.

Table height: 100 cm.

Table size: 149,5 x 40 cm.



New meeting room concept,
for **common work spaces**.



Group cabins for up to four people offer the ideal environment for teamwork, where both confidentiality and collaboration are maximized.



* Furniture not included.

- **Paris 400 - 9003 - 123** | cabin: exterior: white colour, interior: **123** - blue.

- **Paris 401 - 1000 - 04** | table colour **04**- white.

- See page 28 for more finishes.

Paris 400

For up to
four people



29 Db.
Acoustic insulation.



218 m³/h.
Ventilation.



11,5 W./12 V.
4.000° K.
Lighting.



USB A & C.
220 - 240 V.
Connectivity.



Ventilation



Lockable door



Connectivity

Functional and dimensional characteristics.



Dual door opening (left/right)



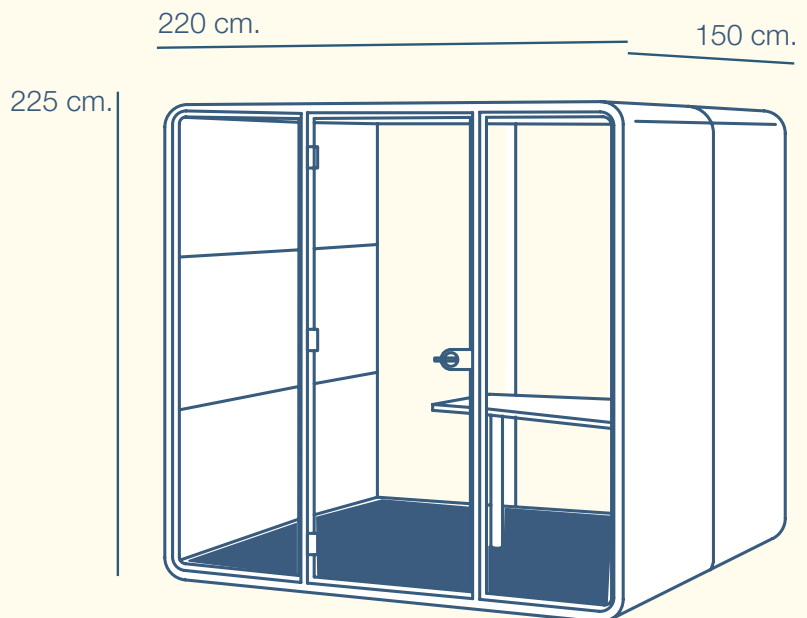
600 Kg.
Weight.



227 x 110 x 64 cm.
Packaging dimensions.

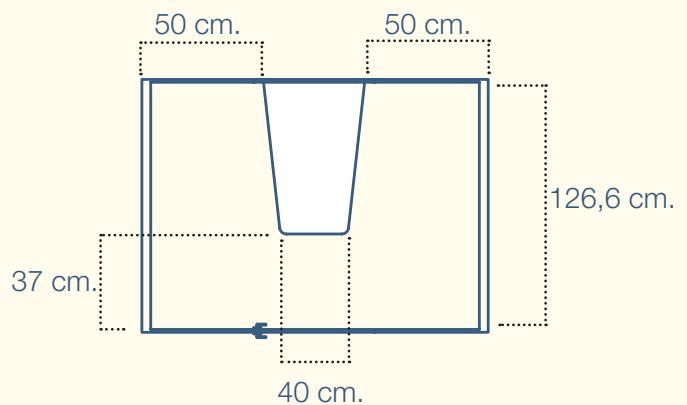


360 minutes.
Assembly time (2 people)



Paris 400:

Exterior dimensions: 220 x 150 x 225 cm.
Interior dimensions: 209,5 x 146 x 213,3 cm.
Table height: 74 cm.
Table size: 90 x 60 cm.
Consult for other table options.



Customize your acoustic booth with **table types** which are best suited to your work needs.

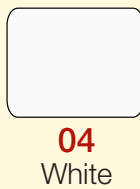
TABLE:

Made in melamine of 25mm thickness.



01 Beech **02** Grey **04** White **08** Oak

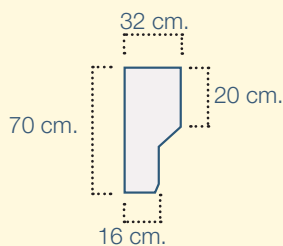
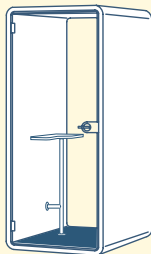
Finish **04** in stock.
Other finishes on request.



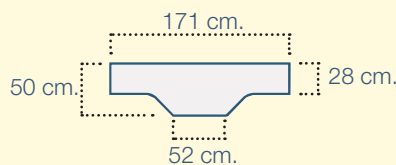
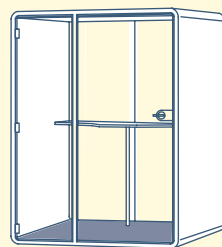
How to order the table for ROME cabin.

Table accessory Type of table Table finish

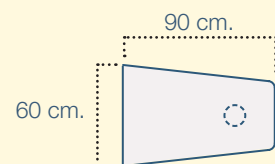
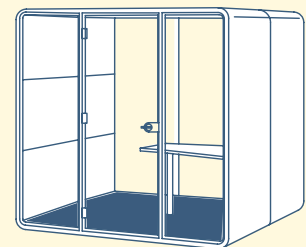
Paris 101 · 1000 · 04



Paris 101 · 1000 · 04



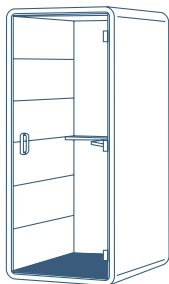
Paris 201 · 1000 · 04



Paris 401 · 1000 · 04

ACCESSORIES TO COMBINE WITH ACOUSTIC CABINS

 x 1



RD-926-4

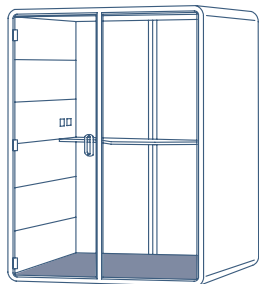


RD-927-4

Individual cabins: add stools for greater comfort

Discover more at: www.rocada.com

 x 2



RD-926-4

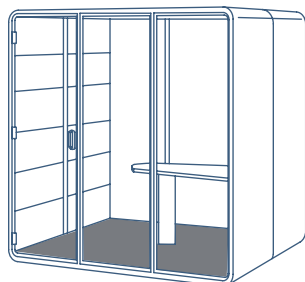


RD-927-4

Double cabins: enhance privacy with optional accessories.

Discover more at: www.rocada.com

 x 4 / x 6



RD-926-4



RD-927-4



RD-908W-4



3005ATW08

Group cabins: integrate complementary elements for better collaboration.

Discover more at: www.rocada.com

Acoustic cabins

Rocada, Spain.

info@rocada.com

www.rocada.com

Rocada, Deutschland GmbH.

info@rocada.de

www.rocada.de

Rocada, UK.

info@rocada.uk

www.rocada.uk

Rocada, Japan.

info@rocada.co.jp

www.rocada.co.jp